

TECHNICAL DATA

ENCLOSURE :-
EX-d AS PER IS/IEC 60079-1:2007

PROTECTION :-
IP-66 AS PER IS 12063-1987 (IS/IEC 60529:2001)

AREA CLASSIFICATION :-
ZONE -1 & 2

TEMPERATURE CLASS :-
T6

GAS GROUPS :-
IIA & IIB

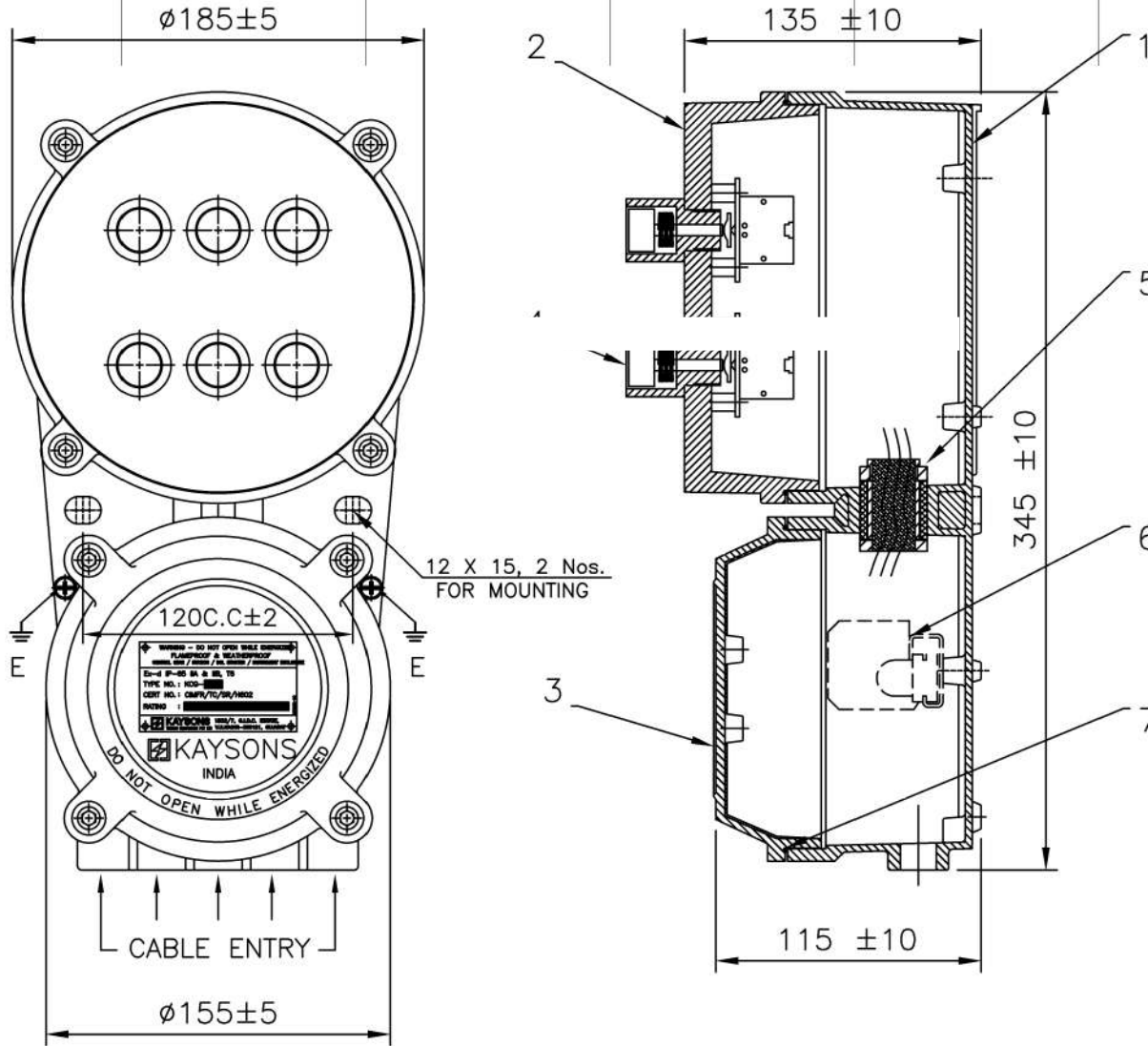
MATERIAL OF CONSTRUCTION :-
DIE CAST AL. ALLOY LM-6

HARDWARE :-
STEEL ZINC PLATED/STAINLESS STEEL

FINISH :-
LIGHT GREY POWDER COATED.
EARTHING :-
1 NO. INSIDE & 2 NOS. OUTSIDE

CABLE ENTRY :-
3/4"ET - 5NOS.

07.	GASKET (ENDLESS, MOULDED)	2	NEOPRENE
06.	TERMINAL	A.R.	CLIPON TYPE
05.	WIRE BUSH	1	GLASSFEEL NYLONE
04.	P.B. WITH NO-NC ELEMENTS	6	P.P.
03.	TERMINAL ENCLOSURE COVER	1	DIE CAST AL. ALLOY
02.	MAIN ENCLOSURE COVER	1	CAST AL. ALLOY
01.	BODY	1	DIE CAST AL. ALLOY
NO.	DESCRIPTION	QTY	MAT./RATING



CLIENT :-
CONSULTANT :-
P.O.NO. :-

DRAWN MGP 1.9.16
CH'D MGP 1.9.16
APP'D NPB 1.9.16

DESCRIPTION:-
FLP WP. CONTROL STATION
WITH PUSH BUTTON



KAYSONS
TECHNO EQUIPMENTS PVT LTD

1802/7, G.I.D.C. ESTATE,
V.U.NAGAR 388121. (GUJARAT)

SHT.NO.
1 OF 1

REV.
0

DRG.NO.:-
B13

ISSUE DATE BY

MODIFICATION